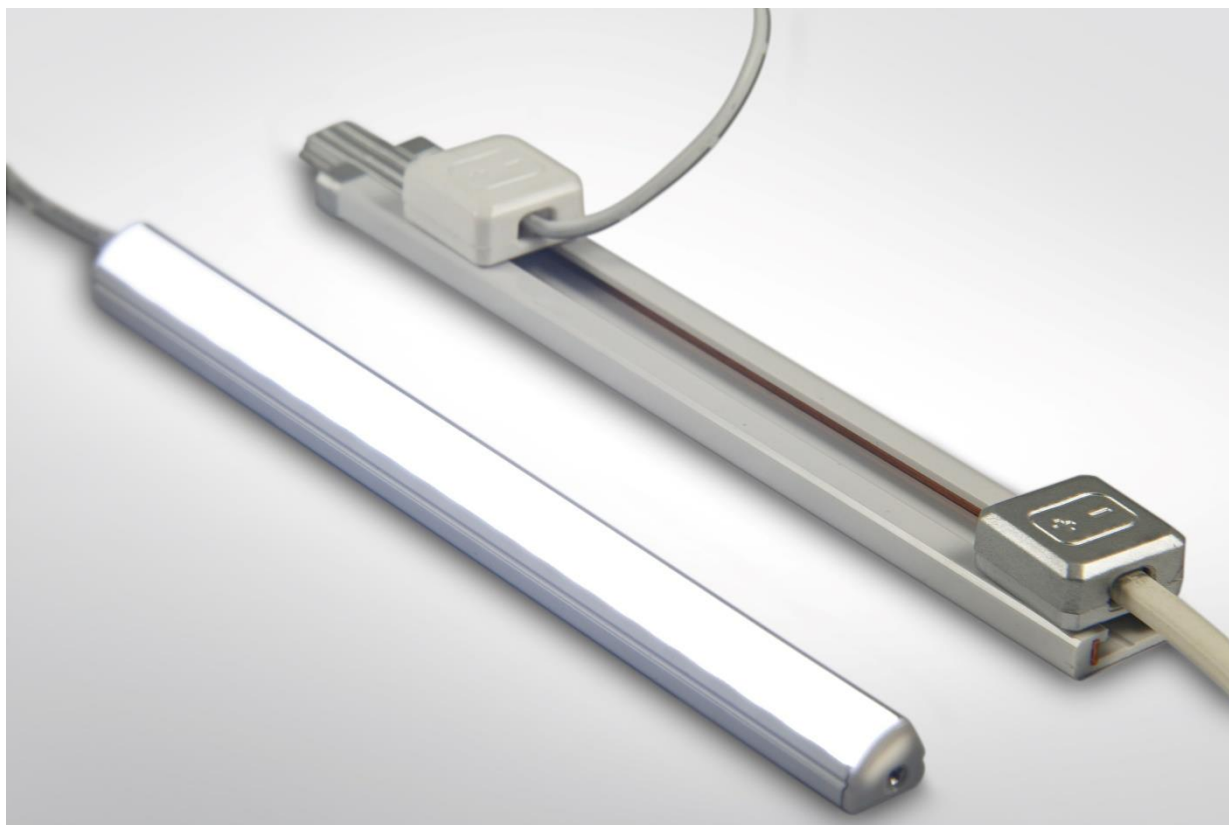


TECHNICAL DATA SHEET

CRYSTAL PANEL Slim 13



- 01 / CONFIGURATION OF THE LIGHT**
- 02 / ELECTRICAL SPECIFICATIONS**
- 03 / TECHNOLOGY, MATERIALS TO BE APPLIED**
- 04 / INSTRUCTIONS CONCERNING INSTALLATION**
- 05 / DURABILITY AND LIMITATIONS OF APPLICATION**
- 06 / BEFORE PLACING THE ORDER**
- 07 / INFORMATION CONCERNING THE USAGE AND WARNINGS**
- 08 / FINAL REMARKS**

SKL PLUS SP. Z O.O.
ul. Błażeja 70D / 61-608 Poznań, Poland
VAT No. / NIP: PL9721195168 / REGON: 301067675 / KRS: 0000334391
export@crystal-panel.com / mobile: +48 61 824 27 81 / www.crystal-panel.com



TECHNICAL DATA SHEET

CRYSTAL PANEL Slim 13



01 / CONFIGURATION OF THE LIGHT

- a. **Illumination:** flexible LED stripe EKD 8 mm
- b. **Standard colour temperature:**
- 4000 K, 6500 K
 - Other colour temperature values are available upon the Customer's request.
- c. **Standard for 12V installations:** a flexible LED strip with an output power of 9,6W/running meter, SMD 2835 LEDs, 120 crystals/running meter, and module length of 25 mm.
- d. **For 24V installations, we are using:** a flexible LED strip with an output power of 9,6W/running meter, SMD 2835 LEDs, 120 crystals/running meter, and module length of 50 mm.
- e. **Upon the Customer's request** we can provide strips with other parameters.

02 / ELECTRICAL SPECIFICATIONS

- a. **Voltage supply:**
- Standard: 12V
 - Upon Customer's request: 24V
- b. **Power supply type:** we recommend MeanWell impulse power supply.
- c. **Temperature of panel during work measured on the profile:**
- 38-40 °C - may vary depending on when the product is placed and the method of installation.
- d. **Current consumption:**
- 12V: 0,8A/running meter of LED strip
 - 24V: 0,4A/running meter of LED strip
- e. **Power consumption:**
- 12V: 9,6W/running meter of LED strip
 - 24V: 9,6W/running meter of LED strip
- f. **CRI/RA:**
- Standard: >85
 - Upon the Customer's request: >90 and >97 possible
- g. **Controllers:**
- Dimmers, interrupters and other diode controllers suitable for constant voltage supply of 12 and 24V respectively.

CP-KP_CP-SLIM13_09_2024



TECHNICAL DATA SHEET

CRYSTAL PANEL Slim 13

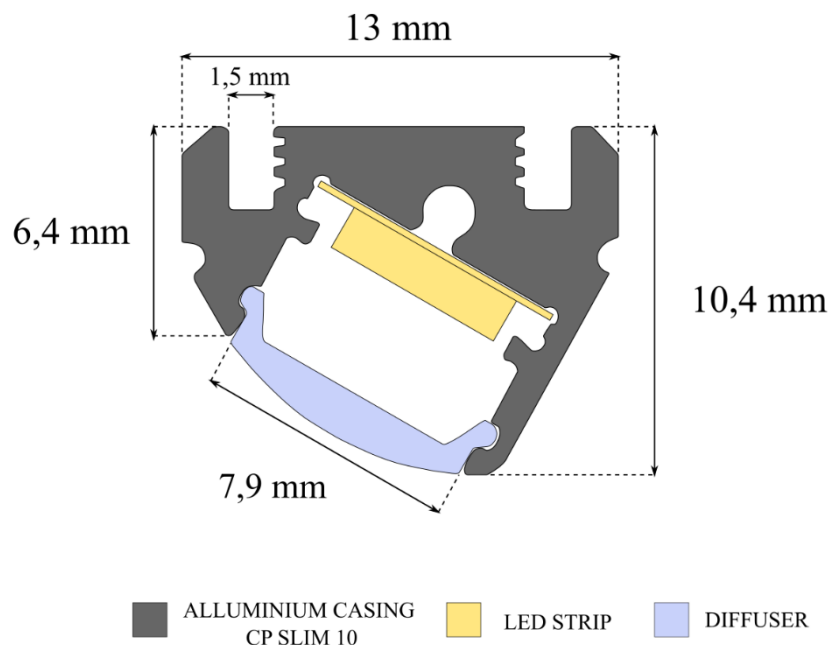


03 / TECHNOLOGY, MATERIALS AND DISTANCES

a. Components of CP Slim 13:

- Aluminium casing CP Slim 13
- Diffuser
- Cover cap with hole for power cable
- Cover cap without hole
- Flexible LED strip 8 mm, constant voltage with cable
- Screw for blanking plug x2

TECHNICAL CROSECTION ILLUMINATING SYSTEM CP SLIM 13

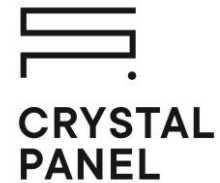


CP-KP_CP-SLIM13_09_2024



TECHNICAL DATA SHEET

CRYSTAL PANEL Slim 13



b. Dimensions of backlighting:

- Height: 10.4 mm
- Width: 13 mm
- Length: adaptable to customer's individual requirements

c. Applied materials: PVC, aluminium, polypropylene,

d. Weight: 1000 mm – 123g (aluminium casing + diffuser)

e. Possible overall dimensions:

- Min.: 160 mm
- Max.: 2700 mm
- No possibilities of combining

f. Length of the illuminated edge:

- The length of the illuminated component should be a multiple of the length of the LED module + solder joint tolerance (5mm) + diffuser (10mm).

g. Length of the power cord:

- In case of standard orders we use SMYp 2x0.35 cords, 1500 mm long.

h. Other lengths of power cord are available upon request of the Customer and after agreement with the Consultant, considering the voltage drops, and for additional fee

i. Dimensional tolerance:

- - 2 mm

04 / INSTRUCTIONS CONCERNING INSTALLATION

a. Recommended method of installation:

- Foam tape
- Mounting clip
- Steel profile or steel tape (magnets required, or magnetic tape)

b. Non-standard installation method: not available

The aforementioned methods or other non-standard methods of installation have to be determined with our Consultant as they can affect the selection of materials to be used, the production process or the method of securing particular elements of the product.

CP-KP_CP-SLIM13_09_2024



TECHNICAL DATA SHEET

CRYSTAL PANEL Slim 13



05 / DURABILITY AND LIMITATIONS OF APPLICATION

a. Expected diode life span:

- Minimum 50.000h (with a proper power supply and at optimum operating temperature)

b. Optimum working temperature range:

- -20 up to 60°C (non-condensing environment)

c. Protection class: IP20

LED panel cannot be exposed to direct contact with water. Indoor use only.

06 / BEFORE PLACING THE ORDER

a. Measurements:

- During the measurement of a place where the CP SLIM is to be installed, please pay attention to angular deviations. Always use the appropriate tolerance for possible.
- Bear in mind that the outer dimensions of the panel are not the same as the dimensions of the illuminated surface!

b. Placement of the power supply:

- Find the proper place to install the power supply to provide its proper cooling and availability in case of malfunction.
- The length of the cord between the power supply and the panel should not exceed 2.5 m due to voltage drops. In special cases, when the cord will have to be longer, please contact the Consultant - he will find the right solution in each case!

07 / INFORMATION CONCERNING THE USAGE AND WARNINGS

a. It is recommended to:

- Protect the edges with LEDs from accidental damage or ripping off the power cord
- Make sure that the power cord is not connected directly to 230V

b. It is not allowed to:

- Overload the structure
- Pull by the cord
- Place into the water
- Bend the construction

CP-KP_CP-SLIM13_09_2024



TECHNICAL DATA SHEET

CRYSTAL PANEL Slim 13



08 / FINAL REMARKS

- a. Any modifications made without the written consent of the Producer will void the guarantee.
- b. The warranty does not apply to small scratches, structural defects, microdamage, or contamination occurring on any surface that do not affect the proper diffusing of light.
- c. In case of any doubts concerning the application of our products, we encourage you to contact Crystal Panel Consultants.

CP-KP_CP-SLIM13_09_2024

SKL PLUS SP. Z O.O.
ul. Błażeja 70D / 61-608 Poznań, Poland
VAT No. / NIP: PL9721195168 / REGON: 301067675 / KRS: 0000334391
export@crystal-panel.com / mobile: +48 61 824 27 81 / www.crystal-panel.com

