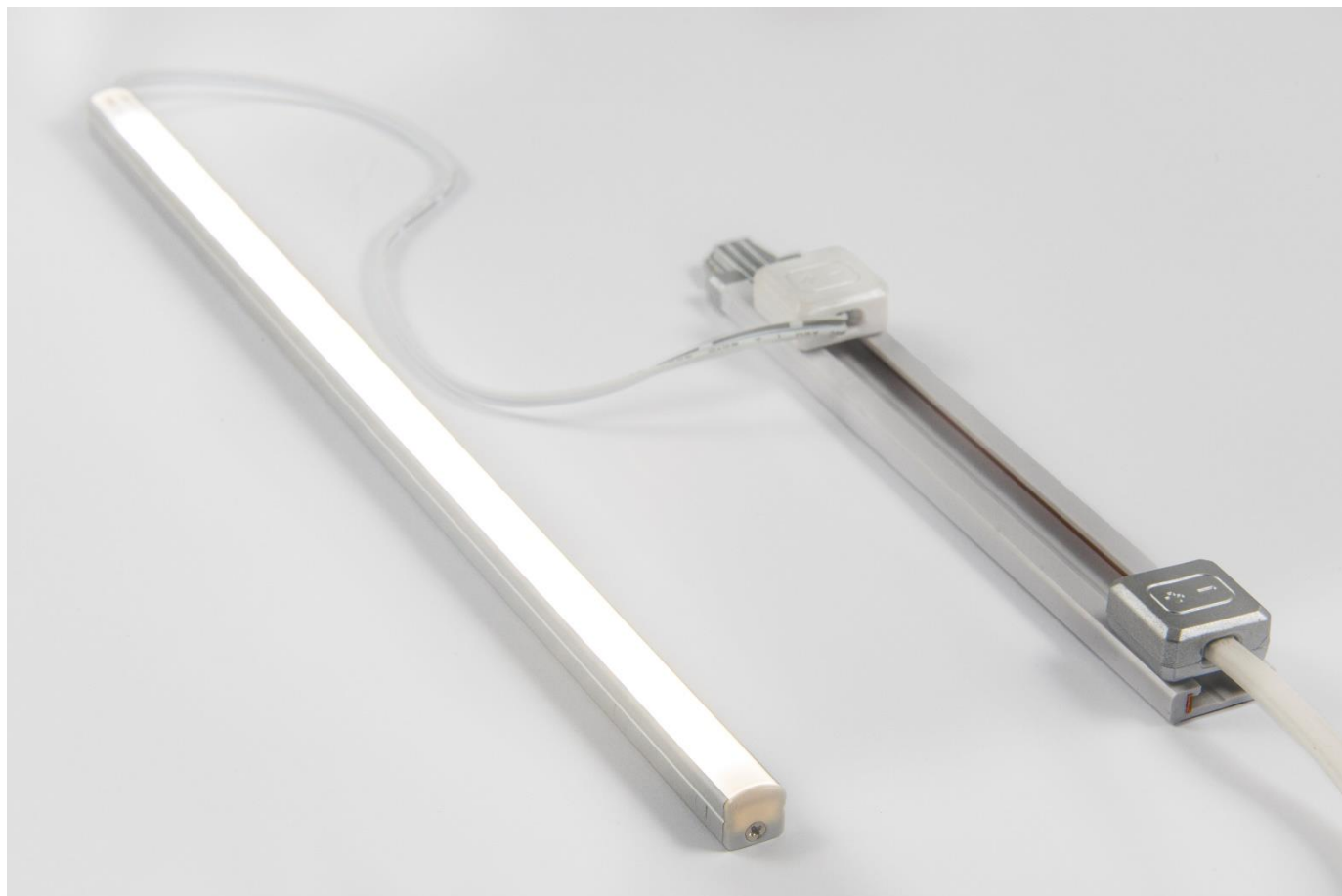
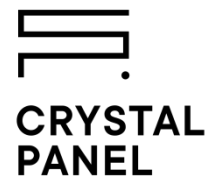


STANDARD OF PRODUCTION
CRYSTAL PANEL Slim 10



CRYSTAL PANEL Slim 10 is an aluminum backlighting system designed to illuminate shop displays, shelves, and racks. We have adapted it to use 9.6W LED strips, which, when combined with discreet power rails, offer an energy-efficient and aesthetically pleasing solution.

Crystal Panel Slim 10 is made according to the Customer's requirements with proven and durable components

SKL PLUS SP. Z O.O.
ul. Błażeja 70D / 61-608 Poznań, Poland
VAT No. / NIP: PL9721195168 / REGON: 301067675 / KRS: 0000334391
export@crystal-panel.com / Tel.: +48 61 622 94 64 / www.crystal-panel.com



STANDARD OF PRODUCTION

CRYSTAL PANEL Slim 10



01 / STANDARD OF PRODUCTION INCLUDES

1. Dimensions:

- a. Height: 10 mm
- b. Width: 10 mm
- c. Length: adaptable to customer's individual requirements
- d. Tolerance: -2 mm

2. Max. length:

- 2700 mm
- It is not possible to create a higher size than indicated due to the design of the aluminum profile

3. Profile colour: silver

4. Backlit component:

- a. LED strips - flexible: 8 mm
- b. Of the power supply / output power:
 - 12V: 9,6W/running meter
 - 24V: 9,6W/running meter
- c. Light colour:
 - Standard white: 4000K, 6500K
 - On request: we can make strips with other parameters of color temperature
 - RGB / RGBW / Multi White strips are not available
- d. Installation of the power cord:
 - Cord outlet - bottom right corner
 - Cord length 1.5 m (SMYp 2x0,35), color – black
 - With or without socket

5. Voltage supply:

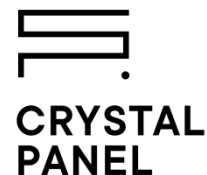
- a. Standard: 12V
- b. Upon Customer's request: 24V

CP-SW_CP-SLIM10_09_2024



STANDARD OF PRODUCTION

CRYSTAL PANEL Slim 10

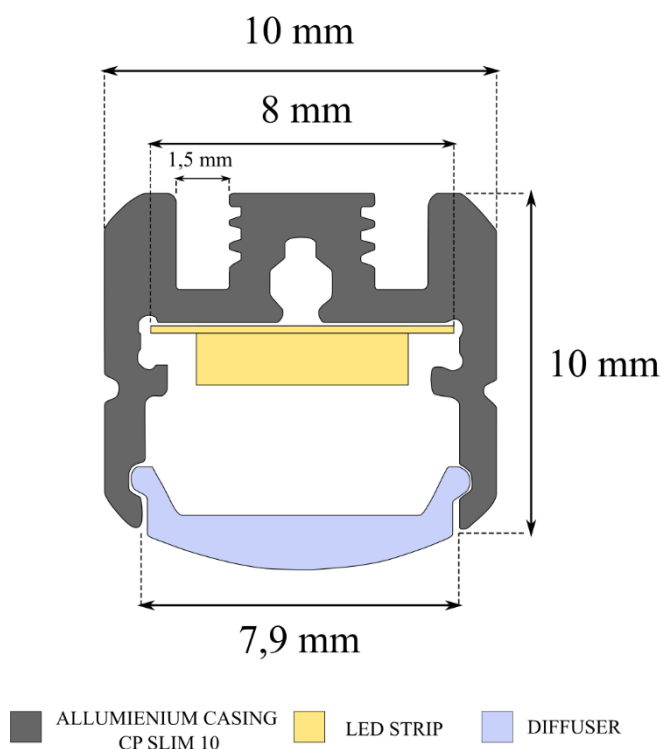


6. Recommended method of installation:

- a. Foam tape
- b. Mounting clip
- c. Steel profile or steel tape (magnets required, or magnetic tape)

7. Construction of the profile:

TECHNICAL CROSECTION BACKLIGHTING SYSTEM CP SLIM 10



Orders are processed according to the above-described standard and the schemes shown below, unless the customer agrees individually on the parameters of the ordered product.

CP-SW_CP-SLIM10_09_2024

SKL PLUS SP. Z O.O.
ul. Błażeja 70D / 61-608 Poznań, Poland
VAT No. / NIP: PL9721195168 / REGON: 301067675 / KRS: 0000334391
export@crystal-panel.com / Tel.: +48 61 622 94 64 / www.crystal-panel.com

